



Doosan Infracore
International



S130 Skid-Steer Loader



Mould Sand Handling - Foundry



Demolition - Building



Trenching - Agriculture



Plant Handling - Nursery

One Tough Animal™

Bobcat® S130 Skid-Steer loader

The Attractively-Priced Bobcat S130 Skid-Steer loader

The S130 a smart way to move into the popular Bobcat line of skid-steer loaders. The machine offers top value for your money. It has a turning radius of 6 feet and a rated operating capacity of 590 kg, along with features such as heavy-duty drive chains that never need adjustment, removable axle hubs for quick, easy servicing and a dual-path cooling system that cools with debris-free air. The S130 also works with wide variety of Bobcat attachments, and sells for a very attractive price.

Specifications

Performance

Rated operating capacity	590kg (1300 lb.)
ROC with optional counterweight	635 kg (1400 lb.)
Tipping Load	1195 kg (2634 lb.)
Hydraulic pump capacity	64.0 L/min (16.9 GPM)
Travel speed	11.8 km/hr. (7.3 MPH)
Operating weight	2375 kg (5235 lb.)

Engine

Make/Model	Kubota V2403-MDI-E3
Fuel/Cooling	Diesel/Liquid
Cylinders	4
HP/Displacement	49HP/2.4 L
Fuel tank capacity	50.4 L (13.3 gal.)

Operation

Steering and drive	Forward, reverse, travel speed and steering controlled by two hand levers.
Hydraulics	Raise/lower lift arms and dump/rollback bucket controlled by two foot pedals or optional hand controls.
Transmission	Hydrostatic, four-wheel drive.

Standard Features

- Adjustable cushion seat
- Automatically activated glowplugs
- Bobcat Interlock Control System (BICS)™
- Bob-Tach™
- Deluxe cab
- Dual path cooling system
- Engine/Hydraulic shutdown
- Hydraulics
- Front & rear lights
- Lift arm support
- Meters/gauges & Warning lights
- Parking brake
- Front auxiliary hydraulic
- Seat bar
- Seat belt
- Spark arrestor muffler
- 10-16.5 standard Duty tires

Dimensions

Length (with bucket)	3152 mm (124.1 in.)
Width (with bucket)	1575 mm (62.0 in.)
Height	1963 mm (77.3 in.)
Height to bucket hinge pin	2781 mm (109.5 in.)

Options / Accessories

- Attachment control kit
- Backup alarm
- Bobcat heavy-duty tires
- Bobcat heavy-duty Offset tires
- Bobcat Poly-Fill Tires
- Bobcat Severe-Duty tires
- Cab enclosure w/Heater
- Catalytic purifier
- Counterweight kit
- Horn
- Hydraulic bucket Positioning
- Keyless start system
- Power Bob-Tach™
- Rear auxiliary Hydraulics

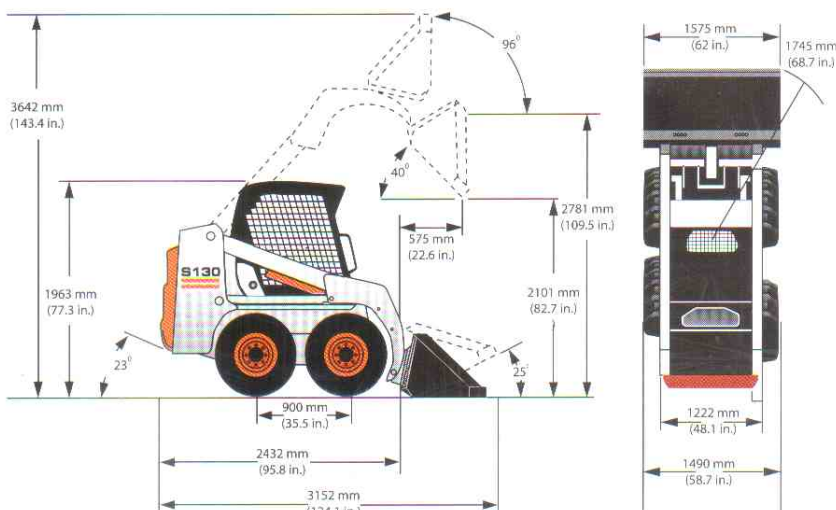
Steel Tracks



Rear Stabilizer



Dimensions



Special Features

- Multi-language capability
- System diagnostic capability
- All gauges read in metric or English units
- Keyless start security
- Job clock
- Real-time clock
- Help screens